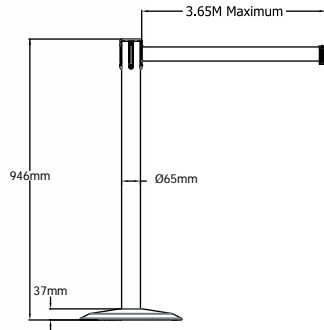
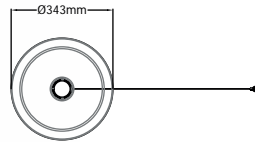
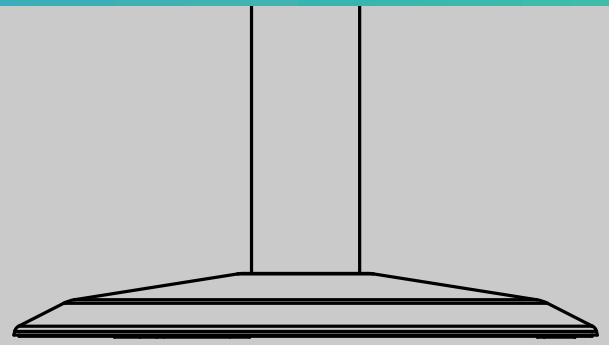


# 875 Popular Post

Practical and Economic. Features a hardwearing cast iron branded base, perfect for areas with high traffic levels. Ideal for tourist attractions, markets, back-of-house areas.



Weight 8kg

### Order Code

- 875-STD – Single Pack - Popular Post 2.3m
- 875-MAX – Single Pack - Popular Post 3.65m
- 875/2-STD – Twin Pack - Popular Post 2.3m
- 875/2-MAX – Twin Pack - Popular Post 3.65m

## Features & Benefits

- The popular post features a lightweight plastic post that screw fixes into a tough cast iron base.
- The post and base can be quickly and easily dismantled for easy storage and transportation.
- This post is popular, as it is more economical than a metal Tensabarrier® post with all of the advanced safety features.
- Cost effective for long queuing environments and out of service areas.
- Safest barrier on the market – our cassettes have the most unique braking system for slower webbing retraction.

## Product Specification

- Plastic post available in 4 UV stable colours.
- Cast iron base comes in black, branded with Tensabarrier® logo.
- Shipped flat packed with no tools required.
- Available with any Tensator® standard (50mm) width webbing options.
- Modular webbing cassette – all cassettes come as standard with our four-point anti-tamper webbing connectivity. This allows you to connect other Tensabarrier® products to the receiver splines on the cassette head.
- Comes as standard with anti-tamper tape end.
- Compatible with all Tensabarrier® accessories including our range of post top signage.
- Available to buy in a twin pack.

## Applications

- Ideal for markets, theme parks, attractions and tourist environments.
- Use to guide public during events.
- Eliminate unsafe working conditions by clearly defining routes.
- Restrict access to dangerous areas.
- Indoor and outdoor use, but shouldn't be permanently placed outside.

### Product Configuration

#### Base Options



Cast Iron Base

#### Post Finishes



Four plastic finishes available

#### Webbing Options



Standard Webbing

50mm width

#### Webbing Lengths



Two lengths available in 50mm width

#### Webbing Designs



Range of colours, designs and custom options

#### Tape End Options



Six tape end options available

MILTON KEYNES  
+44 1908 684 600

NEW YORK  
+1-800-441-0019

DUBAI  
+971 4 2997 228

PARIS  
+33 1 43 09 85 00

FRANKFURT  
+49 69 3003 89 010

WROCLAW  
+48 71 359 3800